



S700V & S702V



Video Transmission System

Product Specification

Features

- ✓ One- or two-channels of video
- ✓ Works with all cameras
- ✓ SMARTS™ Diagnostics
- ✓ Optical AGC circuitry
- ✓ Transmits up to 3.2 mi (5.2 km)
- ✓ Standalone or rack modules
- ✓ Forever Warranty™

Description

The S700V Series meets the challenge for a low cost, high performance fiber optic video transmission system. The series transmits one or two channels of baseband composite video up to 3.2 miles (5.2 km). The S700V is available in four versions: (1) compact standalone modules providing one video channel on one fiber, (2) compact standalone modules providing two video channels on two fibers, (3) rack-mounted cards providing one video channel on one fiber, and (4) rack-mount cards that support two video channels on two fibers. The S700V and S702V model series are compatible with models in the 110V and 110V2 model series.

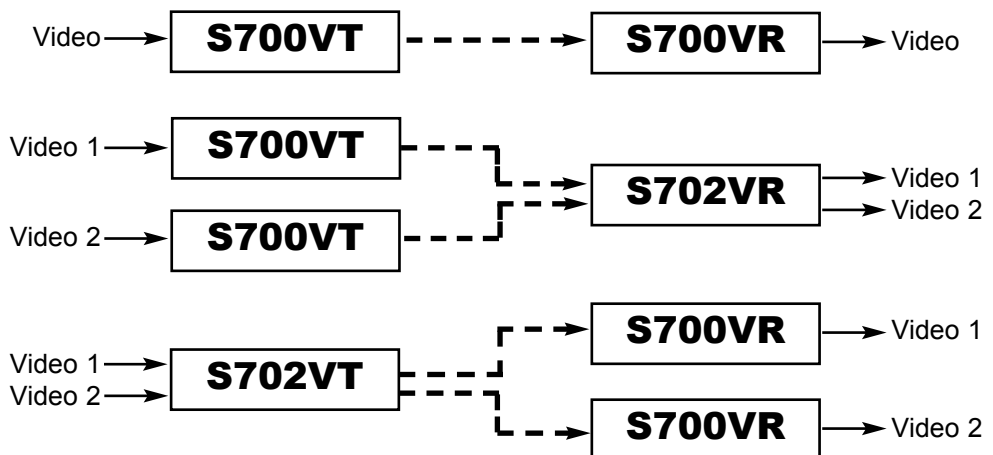
Fiber Option's unique SMARTS™ Technology provides built-in diagnostics.

Basic Model Descriptions

S700V 1-Fiber link, 850 nm
S702V 2-Fiber link, 850 nm

For a complete list of models, see the Fiber Finder™ or price list at the back of this book.

SYSTEM DIAGRAMS*



* Note shown: A single S702VT-R or S702VT-E transmitter may also be used to interface with a single S702VR-R receiver.

SERIES S700V AND S702V

VIDEO

Number of Channels:	
S700V:	1
S702V:	2
Standards Supported:	NTSC, PAL
Video Input/Output Signal:	1.0 V p-p composite
Input/Output Impedance:	75 Ω
Signal-to-Noise Ratio:	>50 dB @ max path loss
Video Resolution:	>640 TV lines
Differential Phase:	1.7°
Tilt:	1.6%

ELECTRICAL

Input Voltage:	
Standalone modules:	12 - 16 VAC 12 - 16 VDC
Rack modules:	13.5 - 16 VDC
Current Requirement:	35 mA
Rack Module Power Factor:	1
Power Consumption:	1.4 W
Protection:	Solid-state short circuit protection (no fuse required)
Card Replacement:	Cards are hot swappable

OPTICAL

Wavelength:	850 nm
Optical Mode:	Multimode
Optical Budget:	13 dB standard
Operating Distance*:	5.2 km
Emitter Type:	LED
Fiber Type:	62.5 μ m
Gain Control:	Optical automatic (OAGC)

ENVIRONMENTAL

Temperature Range	
in Operation:	-40° to +167° F (-40° to +75° C)
in Storage:	-40° to +185° F (-40° to +85° C)
Humidity Range in Operation and Storage:	0 to 95% relative, noncondensing

MECHANICAL

Standalone Modules

Dimensions:	Length: 5.0 in (127 mm) Width: 2.62 in (67 mm) Height: 1.54 in (39 mm)
Weight:	10.7 oz (0.31 kg)
Construction:	Steel
Finish:	Grey textured paint
Mounting Method:	4 - No. 6 (3 mm) screws

Rack Modules

Module Width:	1 slot, 1.0 in (25.4 mm)
Weight:	
S700VT-R	0.49 lb (0.22 kg)
S702VT-R	0.61 lb (0.28 kg)
Construction:	Aluminum
Finish:	Black semigloss paint

SMARTS™ INDICATORS

Level/Loss™, Video

AGENCY COMPLIANCE AND MTBF

Emissions:	FCC Part 15, ICES-003, AS/NZS 3548, EN55022
Immunity:	ENV50204, EN61000-4-2, 3, 4, 5, 6, 11
Safety:	UL1950, CAN/CSA 22.2, NO.950-95
MTBF:	>100,000 hours

*Operating distance is approximate and assumes best fiber. It will be affected by the type and number of splices in the fiber. Refer to update no. TB00-005, which can be found at www.fiberoptions.com.

FCC PART 15
COMPLIANT



For additional information about this product, refer to the Fiber Options Web site at www.fiberoptions.com.